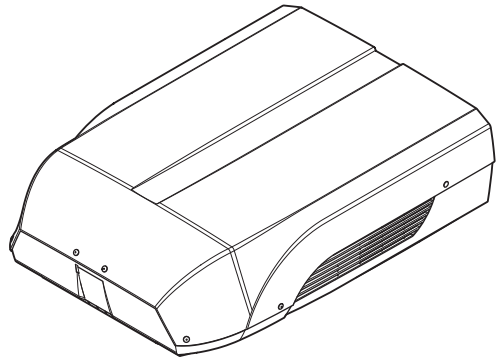
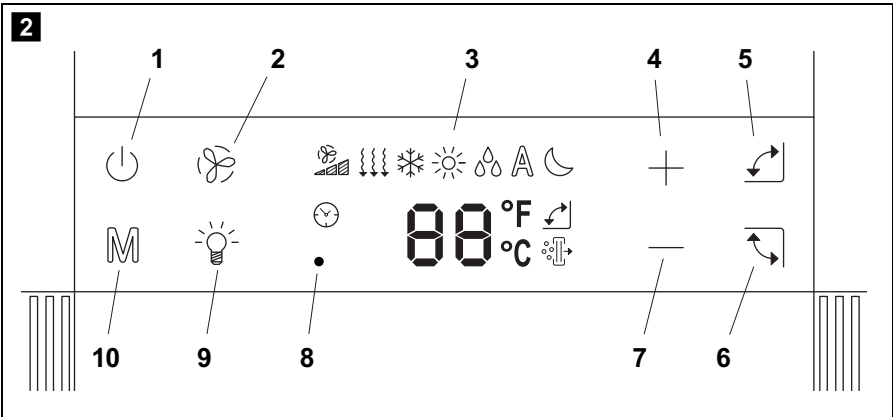
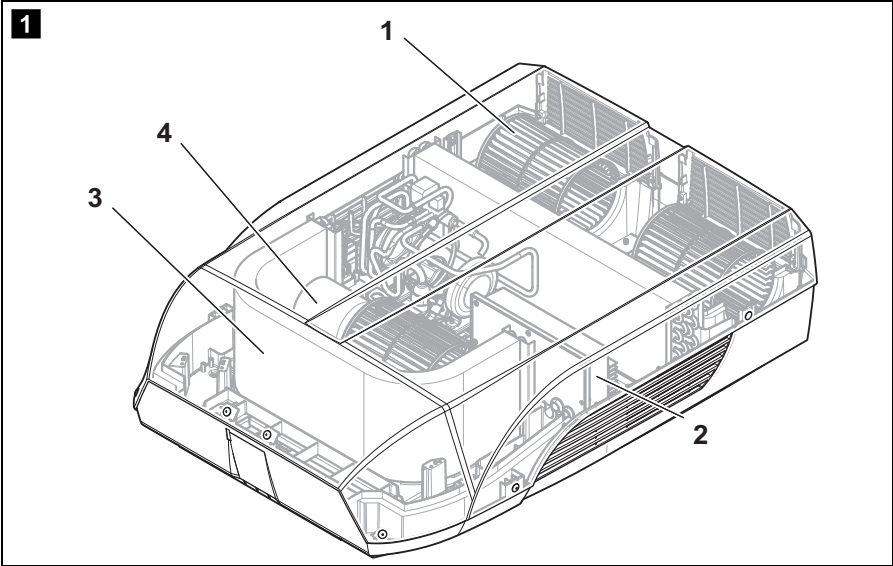


EN

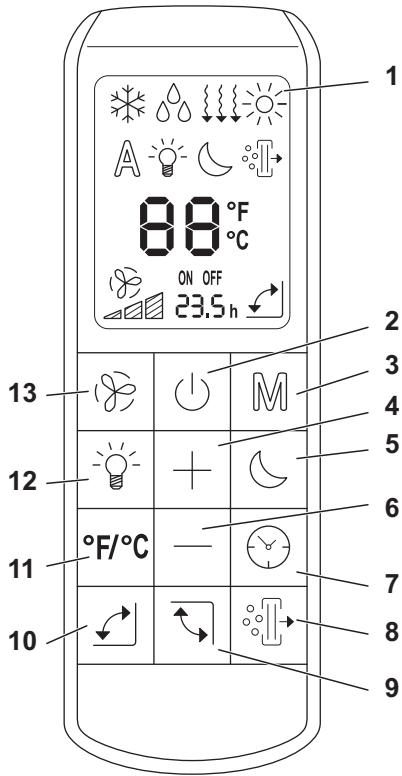
Air conditioning roof unit
Operating manual 7

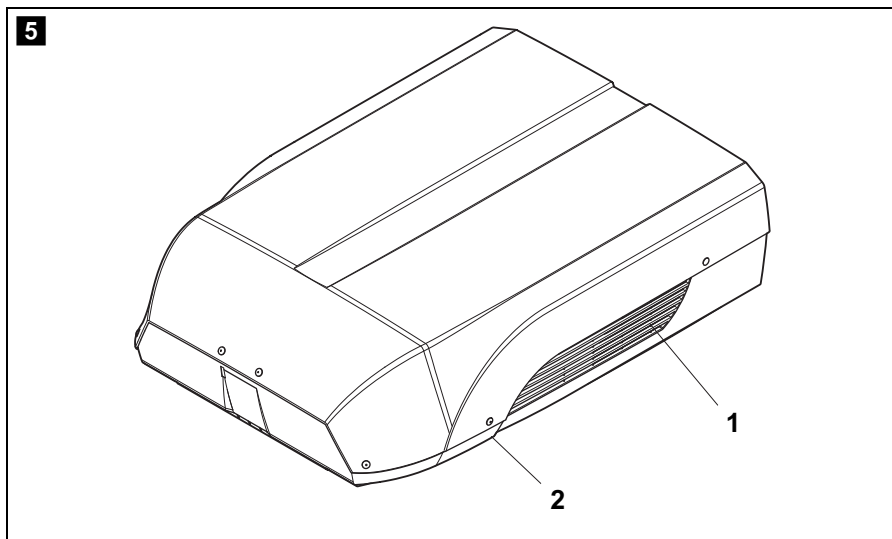
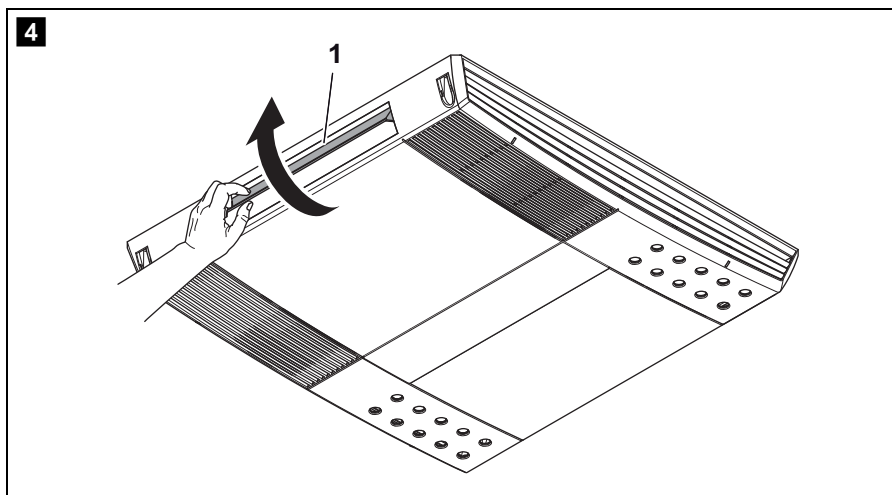


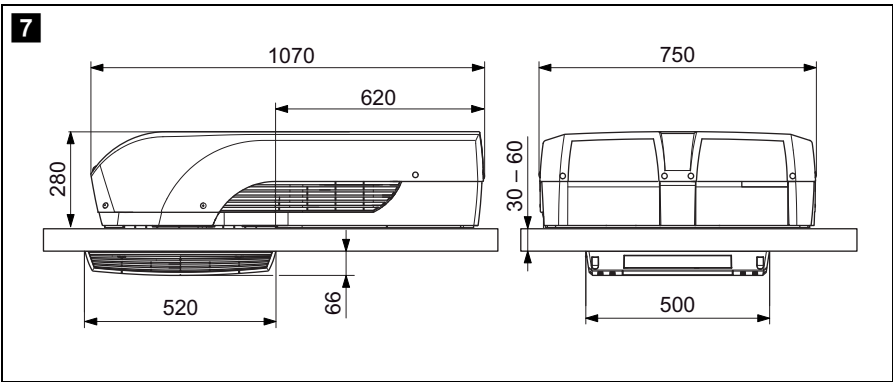
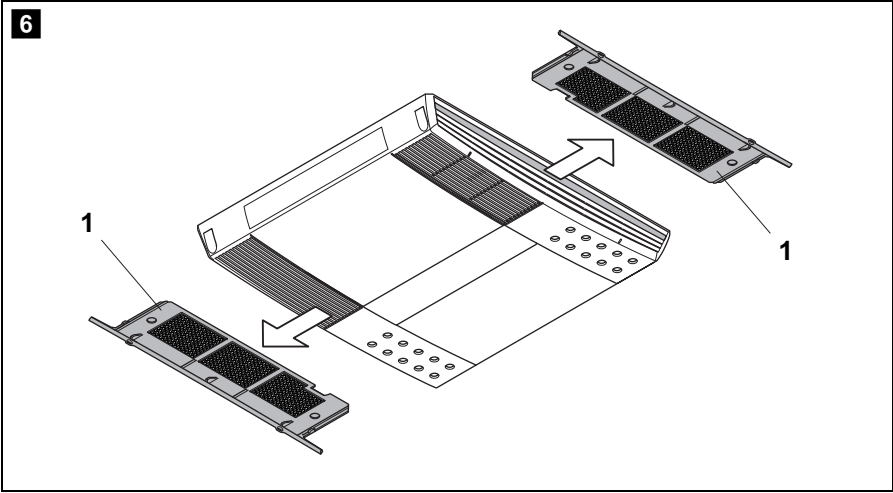
Dometic
Harrier Inverter



3







Please read this manual carefully before installing and using the device, and keep it in a safe place. If you sell the device, pass on this instruction manual to the buyer.

Table of contents

1	Explanation of symbols	8
2	Safety instructions	9
2.1	General safety	9
2.2	Operating the device safely	10
3	Target group for this manual	11
4	Scope of delivery	11
5	Intended use	11
6	Technical description	12
6.1	Components	12
6.2	Control panel	13
6.3	Remote control	14
6.4	Air conditioning modes	15
6.5	Additional functions	16
7	Before initial use	16
8	Operating the roof air conditioner	17
8.1	Basic notes on operation	17
8.2	Using the remote control	17
8.3	Hint for improved use	18
8.4	Selecting the air conditioning mode	18
8.5	Selecting the blower setting manually	18
8.6	Setting the temperature	19
8.7	Adjusting the air nozzles	19
8.8	Setting the timer	19
8.9	Activating the sleep function	20
8.10	Operating the lights	20
8.11	Replacing the remote control batteries	21
9	Cleaning the roof air conditioner	21
10	Maintenance of the roof air conditioner	22
11	Troubleshooting	23

12	Warranty	24
13	Disposal	25
14	Technical data	27

1 Explanation of symbols



WARNING!

Safety instruction: Failure to observe this instruction can cause fatal or serious injury.



CAUTION!

Safety instruction: Failure to observe this instruction can lead to injury.



NOTICE!

Failure to observe this instruction can cause material damage and impair the function of the product.



NOTE

Supplementary information for operating the product.

- **Action:** This symbol indicates that action is required on your part. The required action is described step-by-step.
- ✓ This symbol describes the result of an action.

Fig. 1 5, page 3: This refers to an element in an illustration. In this case, item 5 in figure 1 on page 3.

2 Safety instructions

The manufacturer accepts no liability for damage in the following cases:

- Damage to the product resulting from mechanical influences and excess voltage
- Alterations to the product without express permission from the manufacturer
- Use for purposes other than those described in the operating manual

In particular, the manufacturer will not be liable for any consequential damage, especially consequential damage caused by failure of the roof air conditioner.

Note the following basic safety information when using electrical devices to protect against:

- Electric shock
- Fire hazards
- Injury

2.1 General safety



WARNING!

- **Electrical devices are not toys.**
Keep electrical appliances out of reach of children or infirm persons. Do not let them use the appliances without supervision.
- Persons whose physical, sensory or mental capabilities or whose lack of experience and knowledge prevent them from using the device safely should not use it without supervision or instruction by a responsible person.
- Only use the device as intended.
- Do not make any alterations or conversions to the device.
- Installation, maintenance and repairs of the roof air conditioner may only be carried out by qualified personnel who are familiar with the risks involved when handling refrigerant and air conditioning systems as well as the relevant regulations. Inadequate repairs may cause serious hazards. For repair service, please contact the service centre in your country (addresses on the back page).

- Do not use the roof air conditioner near flammable fluids or in closed rooms.
- Make sure no combustible objects are stored or installed near the air outlet. A distance of at least 50 cm must be kept.
- Do not reach into air outlets or insert any foreign objects in the roof air conditioner.
- Do **not** undo the upper cover of the roof air conditioner in the event of a fire. Use approved extinguishing agents instead. Do not use water to extinguish fires.

**NOTICE!**

- Never drive through automatic car washes when the roof air conditioner is mounted.
- Please ask your vehicle manufacturer if a technical inspection is required after fitting an air conditioner and whether the height entered in your vehicle documents needs to be altered:
 - Harrier Series: increased height 255 mm
- If faults occur in the roof air conditioner's refrigerant circuit, the roof air conditioner must be checked by a specialist company and properly repaired. The refrigerant must never be released into the air.

2.2 Operating the device safely

**WARNING!**

- Always disconnect the power supply when working on the device.

**NOTICE!**

- The roof air conditioner is not suitable for use in agricultural or construction vehicles.
- Operate the device only if you are certain that the housing and the cables are undamaged.

3 Target group for this manual

This operating manual is for the user of the roof air conditioner.

4 Scope of delivery

Rooftop unit

Designation	Item number
Dometic Harrier Inverter roof air conditioner	CK36H401RI
Installation manual	
Operating manual	

Air outlet unit

Designation	Item number
ADB with oscillation vents	CA02HR11

5 Intended use

The Dometic Harrier Inverter roof air conditioner can condition the interior of campers and caravans with cool or warm dehumidified air.

The roof air conditioner is **not** suitable for installation in construction machines, agricultural machines or similar equipment. It will not work properly if exposed to strong vibrations.

The Dometic Harrier Inverter can operate in ambient conditions from $-2\text{ }^{\circ}\text{C}$ up to $52\text{ }^{\circ}\text{C}$ (at extreme temperatures the performance will be affected).

6 Technical description

The roof air conditioner supplies the interior with cool or warm dehumidified air without dust and dirt.

LED lamps integrated in the air outlet unit provide pleasant lighting.

The roof air conditioner is operated with the remote control.



NOTE

The roof air conditioner can lower the temperature within the vehicle to a certain level. The temperature depends on the type of vehicle, the ambient temperature and the cooling capacity of your roof air conditioner.

Below an outside temperature of 16 °C the roof air conditioner doesn't cool anymore.

6.1 Components

The refrigerant circuit of the roof air conditioner consists of the following main components (fig. 1, page 3):

- **Compressor (1)**

The compressor draws in the refrigerant used and compresses it. This raises the pressure and therefore the temperature of the refrigerant.

- **Condenser (2)**

The built-in liquefier works like a cooler or heat exchanger. The air flowing past absorbs the heat and the hot refrigerant gas cools down and becomes liquid.

- **Evaporator (3)**

The evaporators cool down and dehumidify the air flowing past them. The refrigerant absorbs the heat and vaporises.






- **Blower (4)**

A blower distributes the cooled air within the vehicle through an air outlet unit.

6.2 Control panel

The control panel is at the air outlet unit of the roof air conditioner (fig. **2**, page 3).






It contains the following control and display elements:




No.	Explanation	
1	Button 	Switches the roof air conditioner on, off or to stand-by mode
	with status indicator:	
	Off:	The roof air conditioning is switched off.
	Red light:	The roof air conditioner is in stand-by mode.
	White light:	The roof air conditioning is switched on.
2	Button 	Switches the fan level to: HIGH, MED, LO, AUTO
3	Display – Fan – Mode – Timer – Oscillation – Temperature setting – °C or °F	
4	Button +	Increases the temperature setting
5	Button 	Switches the front oscillation vent On/Off.
6	Button 	Switches the rear oscillation vent On/Off.
7	Button –	Reduces the temperature setting
8	Infrared receiver for the remote control	
9	Button 	Switches the light on or off.
10	Button M	Switches the mode to: COOL, HEAT, DEHUMIDIFICATION, VENTILLATION, AUTO

6.3 Remote control

All settings of the device (e. g. temperature settings, timer programming) are transmitted to the roof air conditioner by remote control.





The following control and display elements are available on the remote control (fig. **3**, page 4) :

No.	Explanation
1	Digital display Displays the following: <ul style="list-style-type: none"> – Timer – Set temperature (target value) in °C or °F – Mode – Fan level – Symbols for active additional functions
2	Button  Switches the roof air conditioner and remote control on or to stand-by mode
3	Button M Selects the mode
4	Button + Increases the value
5	Button  Activates the sleep function. The sleep function automatically modifies the fan speed to reduce noise.
6	Button – Reduces the value
7	Button  Sets the timer function
7	Button °F/°C If temperature is displayed: switches between temperature units Celsius (°C) and Fahrenheit (°F)
8	Button  Turns the air purifier function On/Off.
9	Button  Switches the rear oscillation vent On/Off.

No.	Explanation
10	Button  Switches the front oscillation vent On/Off.
12	Button  Switches the light of the roof air conditioner on or off.
13	Button  Selects the fan setting




6.4 Air conditioning modes

The roof air conditioner has the following air conditioning modes:

Air conditioning mode	Display message	Explanation
Automatic	A	The air conditioner automatically maintains the temperature between 20 °C and 25 °C by heating or cooling as needed.
Cooling		You specify the temperature and blower settings, and the roof air conditioner cools the interior to this temperature.
Heating		You specify the temperature and blower settings, and the roof air conditioner heats the interior to this temperature.
Ventillation		You specify the fan level, and the roof air conditioner blows air into the interior.
Dehumidification		The roof air conditioner dehumidifies the interior.

6.5 Additional functions

The roof air conditioner has the following additional functions:

Additional function	Display message	Explanation
Timer	 01.5 H	The roof air conditioner is switched on at the specified time between 0.5 to 24 hours in the future.
	 23.5 H	The roof air conditioner is switched off at the specified time between 0.5 to 24 hours in the future.
Sleep		The fan and compressor speeds are reduced to minimum to reduce noise.

7 Before initial use

Inspection before starting up

Before you switch on the roof air conditioner, observe the following:

- ▶ Check whether the supply voltage and frequency correspond to the values specified in the technical data, see page 27.
- ▶ Ensure both the air intake opening and the air nozzles are free. All ventilation grilles must always be kept free to ensure that the roof air conditioner is able to operate at maximum capacity.



CAUTION! Beware of injury

Do not insert your fingers or objects into the air nozzles or the intake grille.

Check remote control and insert batteries

- ▶ Insert the provided batteries in the remote control battery compartment, see chapter “Replacing the remote control batteries” on page 21.

8 Operating the roof air conditioner

8.1 Basic notes on operation

The roof air conditioner has three operating modes:

Operating mode	Features
Off	The roof air conditioner is switched off. The remote control is inactive.
Stand-by	The roof air conditioner is ready for operation and can be switched on with the remote control. The lights are available.
On	The roof air conditioner is conditioning the air in the interior.

You can use the **control panel** to

- switch the roof air conditioner on or to stand-by mode
- switch the light on and off
- make adjustments to the settings

You can use the **remote control** to

- switch the roof air conditioner on or to stand-by mode.
- switch the light on and off
- make adjustments to the settings
- select additional functions

8.2 Using the remote control

The values are directly transmitted to the roof air conditioner when you set them.

The remote control **must** be pointed at the IR receiver (fig. **2** 8, page 3) on the control panel during operation.

When a button is pressed, the value is transmitted directly to the roof air conditioner. The roof air conditioner confirms the receipt of data with a beep.

8.3 Hint for improved use

The following hints will optimise the performance of your roof air conditioner:




- Improve the heat insulation of your vehicle by sealing gaps and hanging reflective blinds or curtains on your windows.
- If the vehicle has been subjected to direct sunlight for a long time and the outside temperature is lower than the inside temperature: Operate the roof air conditioner in the “Ventilation” (↓↓↓) mode with the windows open for a while before switching on the “Cooling” (❄️) air conditioning mode.
- Avoid opening doors and windows as far as possible in the “Cooling” (❄️) mode.
- Select an appropriate temperature and blower speed.
- Make sure the air nozzles and intake grille are not covered by cloths, paper or other objects.


8.4 Selecting the air conditioning mode

- Select the air conditioning mode of your choice using the **M** key, see chapter “Air conditioning modes” on page 15.
- ✓ The roof air conditioner confirms the receipt of the values with a beep.
- ✓ The roof air conditioner is switched to the selected air conditioning mode.

8.5 Selecting the blower setting manually

The blower controls the strength of the air supply.

Display message	Explanation
	Low blower level
	Medium blower level
	High blower level

- Use the  button to select the desired blower level.
- ✓ The roof air conditioner confirms the receipt of the values with a high note.
- ✓ The new blower level has been set.

8.6 Setting the temperature

Cooling Mode

In the “Cooling” (❄️) and “Dehumidifying” (💧) modes you can specify a temperature between 16 °C and 30 °C via the remote control.

- Use the + or – button to select the desired temperature.
- ✓ The roof air conditioner confirms the receipt of the values with a beep.
- ✓ The temperature is set on the roof air conditioner.



Heating Mode

In the “Heating” (☀️) mode you can specify a temperature between 16 °C and 30 °C via the remote control.

- Use the + or – button to select the desired temperature.
- ✓ The roof air conditioner confirms the receipt of the values with a beep.
- ✓ The temperature is set on the roof air conditioner.

8.7 Adjusting the air nozzles

The air supply within the vehicle can be regulated by setting the air nozzles.

- Press the  button and/or the  button to start oscillation of each door. Pressing again will fix the door at the current angle. When the roof air conditioner is turned off, the doors return to the closed position. If the doors become misaligned they will return to the default position when the unit is turned off. Also, they can be rotated safely by hand without damaging the motors (fig. **4** 1, page 5).

8.8 Setting the timer

The timer function allows you to set a specific time period for air conditioning. You can specify the switch-on time and the switch-off time. The time can be set in 0.5 hour increments.





NOTE

The remote control returns to its initial mode if no button is pressed on the remote control for 15 seconds while programming the timer.


- Before programming the timer, select the air conditioning mode and all required values (e.g. temperature).

Setting the on and off times

- Press the **TIMER** button once.
- ✓ The **ON** symbol ( 01.5 H) flashes on the display of the remote control.
- Use the + or – button to set the time when the roof air conditioner is to switch on.
- Press the **TIMER** button to transmit the value to the roof air conditioner.
- ✓ The **OFF** symbol ( 23.5 H) flashes on the display of the remote control.
- Use the + or – button to set the time when the roof air conditioner is to switch off.
- Press the **TIMER** button to transmit the value to the roof air conditioner.
- ✓ The on and off times are set on the roof air conditioner.
The roof air conditioner runs in the selected air conditioning mode during the specified time.


8.9 Activating the sleep function

When the sleep function is activated, the inside and outside fan speeds are set to low to reduce noise.


- Set the required temperature (see chapter “Setting the temperature” on page 19) and mode.
- Press the **SLEEP** button.
- ✓ The  symbol appears in the display.
The sleep function is activated.

8.10 Operating the lights

Switching the light on/off with the control panel

- Briefly press the  button to switch the lamps on or off.

Switching the light on/off with the remote control

- Press the  button to switch the lamps on or off.

8.11 Replacing the remote control batteries

Replace the batteries if you notice the range of the remote control reduced.

**NOTE**

The display may remain bright.

The battery compartment is on the back of the remote control.

- Gently lift the lid of the battery compartment via the clip and remove it.
- Insert the new batteries (2 x type AAA) in the remote control as indicated in the battery compartment.
- Close the cover of the battery compartment.

**Protect the environment!**

Do not dispose of batteries with general household waste. Return any used batteries to your retailer or take them to a collection point.

9 Cleaning the roof air conditioner

**NOTICE! Beware of damage**

- Do not clean the roof air conditioner with a high-pressure cleaner. Exposure to water can damage the air conditioner.
 - Do not use sharp or hard objects or cleaning agents for cleaning as these may damage the roof air conditioner.
 - To clean the roof air conditioner, use water with a gentle cleaning agent. Never use petrol, diesel or solvents.
-
- Clean the housing of the roof air conditioner and the air outlet unit occasionally with a damp cloth.
 - Regularly remove leaves and other dirt from the ventilation grilles (fig. 5 1, page 5) of the roof air conditioner. Make sure you do not damage the grilles in the process.
 - Clean the remote control with a slightly damp cloth from time to time. We recommend using a cleaning cloth for glasses to clean the display.

10 Maintenance of the roof air conditioner



WARNING!

Any other maintenance work to that which is described here may only be carried out by qualified personnel who are familiar with the risks involved when handling refrigerant and air conditioning systems as well as the relevant regulations.

Interval	Inspection/maintenance
Regularly	Check the condensation water drainage: <ul style="list-style-type: none"> ➤ Check whether the condensation water drainage channels (fig. 5 2, page 5) at the sides of the roof air conditioner are clear and the condensation water is able to escape.
Regularly	Clean the filter of the air discharge unit (fig. 6 , page 6): <ul style="list-style-type: none"> ➤ Remove the filter (1). ➤ Clean the filter (1) with a detergent solution and let it dry. ➤ Put the dry filter (1) back in.
Once per year	Check the profile seals: <ul style="list-style-type: none"> ➤ Check the seal between the roof air conditioner and the roof of the vehicle for cracks and other damage.
Once per year	Have the heat exchanger serviced: <ul style="list-style-type: none"> ➤ Have the heat exchanger of the roof air conditioner serviced by specialist workshop.

11 Troubleshooting

Problem	Cause	Remedy
Roof air conditioner constantly switches itself off.	Icing sensor has tripped.	Outer temperature is too low or all air nozzles are closed.
Not cooling well	The roof air conditioner is not set to cooling.	➤ Set the roof air conditioner to cooling.
	The ambient temperature is above 52 °C.	The roof air conditioner is only designed for ambient temperatures of up to 52 °C.
	The temperature set is higher than the room temperature.	➤ Select a lower temperature.
	The ambient temperature is below 16 °C.	The roof air conditioner is only designed for ambient temperatures above 16 °C.
	One of the temperature sensors is defective.	➤ Contact an authorised service agent or Dometic.
	The evaporator fan is damaged.	
	The condenser fan is damaged.	
Not heating well	The roof air conditioner is not set to heating.	➤ Set the roof air conditioner to heating.
	The ambient temperature is above -2 °C.	The roof air conditioner will only heat at ambient temperatures above -2 °C.
	The temperature set is lower than the room temperature.	➤ Select a higher temperature.
	One of the temperature sensors is defective.	➤ Contact an authorised service agent or Dometic.
		The evaporator fan is damaged.
	The condenser fan is damaged.	
Low air output	The air intake grilles are blocked or obstructed.	➤ Remove any leaves and other dirt from the ventilation grilles of the roof air conditioner.
	The blower is defective.	➤ Contact an authorised service agent or Dometic.

Problem	Cause	Remedy
Water enters the vehicle	The condensation water drainage openings are clogged up.	➤ Clean the drainage openings for condensation water.
	The seals are damaged.	➤ Contact an authorised service agent or Dometic.
Roof air conditioner does not switch on.	No supply voltage (240 V~) connected.	➤ Check the power supply.
	The voltage is too low (under 200 V~).	➤ Contact an authorised service agent or Dometic.
	The voltage converter is defective.	
	One of the temperature sensors is defective.	
Roof air conditioner does not switch off.	The electrical fuse of the power supply is too low.	➤ Check the electrical fuse of the power supply.
	One of the temperature sensors is defective.	➤ Contact an authorised service agent or Dometic.
Remote control does not register	The electrical fuse of the power supply is too low.	➤ Check the electrical fuse of the power supply.
	The remote control is not pointing towards the ADB display.	➤ Point the remote control towards the ADB display.
	The batteries in the remote control need replacing. Note: The display of the remote control will still be bright even if the batteries are low.	➤ Replace the batteries in the remote control.

12 Warranty

The statutory warranty period applies. If the product is defective, please contact the service partner in your country (addresses on the back on the instruction manual).

Our experts will be happy to help you and will discuss the warranty process with you in more detail.

13 Disposal

Regulations for environmental safety and correct disposal

All organisations must apply a set of procedures to identify, evaluate and control the influence that their activities (manufacturing, products, services, etc.) have on the environment.

The procedures to be followed to identify significant environmental impact must take the following factors into account:

- use of raw materials and natural resources
- atmospheric emissions
- discharge of liquids
- waste management and recycling
- contamination of the soil

In order to minimise environmental impact, the manufacturer provides a series of indications here below that should be taken into account by all those who, for whatever reason, interact with the appliance during its working life.

- All packing components must be disposed of (preferably recycled) in compliance with statutory legislation in the country in which disposal takes place.
- All product components must be disposed of (preferably recycled) in compliance with statutory legislation in the country in which disposal takes place.
- For correct disposal, the appliance must be consigned to an authorised waste disposal company to ensure that all recyclable components are reused and the remaining materials are processed properly.
- During installation ensure the room has adequate ventilation to prevent the build-up of stale air that might be harmful to the health of the operators.
- During operation and maintenance ensure that any waste pollutant products (oil, grease, etc.) are disposed of correctly.
- Keep noise levels down to reduce noise pollution.

For more information on correct dismantling of our products please refer to the recycling handbooks at www.dometic.com.

- Place the packaging material in the appropriate recycling waste bins wherever possible.
- When in operation or undergoing repairs and maintenance work, make sure that the refrigerant circuit is not damaged and refrigerant cannot escape. It acts as a greenhouse gas and should not be allowed into the environment.

Any person who handles or works on equipment containing refrigerant in Australia must have an appropriate refrigerant handling license.

This includes:

- decanting the refrigerant
- manufacturing, installing, commissioning, servicing or maintaining equipment regardless of whether it is charged with refrigerant or not
- decommissioning or disposing of equipment where refrigerant is present

Discharge of refrigerant into the atmosphere is against the law. Severe penalties apply.



If you wish to finally dispose of the product, ask your local recycling centre or specialist dealer for details about how to do this in accordance with the applicable disposal regulations.


- Dispose of the product at an official waste disposal facility in accordance with the applicable recycling or disposal guidelines.



Protect the environment!

Do not dispose of any batteries with general household waste. Return defective or used batteries to your retailer or dispose of them at collection points.

14 Technical data

	Dometic Harrier Inverter
Item no.:	CK36H401RI
Compressor rated capacity:	3675 W
Cooling capacity based on ISO 5151:	3124 W
Heating capacity based on ISO 5151:	2827 W
Rated input voltage:	230 V~ / 50 Hz
Power consumption in cooling mode:	6.5 A
Power consumption in heating mode:	5.2 A
Operating temperature range:	-2 °C to +52 °C
Refrigerant:	R-410a
Blower:	3 blower levels 1 Automatic mode
Suggested max. vehicle length (with insulated walls):	≥ 7.5 m
Dimensions L x W x H (mm):	1070 x 750 x 280 mm (height above vehicle roof)
Weight:	approx. 45 kg
Inspection/certification:	

AUSTRIA**Dometic Austria GmbH**
Neudorferstraße 108
A-2353 Guntramsdorf
☎ +43 2236 908070
☎ +43 2236 90807060
Mail: info@dometic.at**BENELUX****Dometic Branch Office Belgium**
Zincstraat 3
B-1500 Halle
☎ +32 2 3598040
☎ +32 2 3598050
Mail: info@dometic.be**BRAZIL****Dometic DO Brasil LTDA**
Avenida Paulista 1754, conj. 111
SP 01310-920 Sao Paulo
☎ +55 11 3251 3352
☎ +55 11 3251 3362
Mail: info@dometic.com.br**DENMARK****Dometic Denmark A/S**
Nordensvej 15, Taulov
DK-7000 Fredericia
☎ +45 75585966
☎ +45 75586307
Mail: info@dometic.dk**FINLAND****Dometic Finland OY**
Mestarintie 4
FIN-01730 Vantaa
☎ +358 20 7413220
☎ +358 9 7593700
Mail: info@dometic.fi**FRANCE****Dometic SAS**
ZA du Pré de la Dame Jeanne
B.P. 5
F-60128 Plailly
☎ +33 3 44633525
☎ +33 3 44633518
Mail: vehiculesdeloisirs@dometic.fr**GERMANY****Dometic WAECO International GmbH**
Hollefeldstraße 63
D-48282 Emsdetten
☎ +49 (0) 2572 879-195
☎ +49 (0) 2572 879-322
Mail: info@dometic-waeco.de**HONG KONG****Dometic Group Asia Pacific**
Suites 2207-11 · 22/F · Tower 1
The Gateway · 25 Canton Road,
Tsim Sha Tsui · Kowloon
☎ +852 2 4611386
☎ +852 2 4665553
Mail: info@waeco.com.hk**HUNGARY****Dometic Zrt. Sales Office**
Kérékgyártó u. 5.
H-1147 Budapest
☎ +36 1 468 4400
☎ +36 1 468 4401
Mail: budapest@dometic.hu**ITALY****Dometic Italy S.r.l.**
Via Virgilio, 3
I-47122 Forlì (FC)
☎ +39 0543 754901
☎ +39 0543 754983
Mail: vendite@dometic.it**JAPAN****Dometic KK**
Maekawa-Shibaura, Bldg. 2
2-13-9 Shibaura Minato-ku
Tokyo 108-0023
☎ +81 3 5445 3333
☎ +81 3 5445 3339
Mail: info@dometic.jp**MEXICO****Dometic Mx, S. de R. L. de C. V.**
Circuito Médicos No. 6 Local 1
Colonia Ciudad Satélite
CP 53100 Naucalpan de Juárez
Estado de México
☎ +52 55 5374 4108
☎ +52 55 5393 4683
Mail: info@dometic.com.mx**NETHERLANDS****Dometic Benelux B.V.**
Ecustraat 3
NL-4879 NP Etten-Leur
☎ +31 76 5029000
☎ +31 76 5029019
Mail: info@dometic.nl**NEW ZEALAND****Dometic New Zealand Ltd.**
Unite E, The Gate
373 Neilson Street
Penrose 1, Auckland
☎ +64 9 622 1490
☎ +64 9 622 1573
Mail: customerservices@dometic.co.nz**NORWAY****Dometic Norway AS**
Østergryveien 46
N-3232 Sandefjord
☎ +47 33428450
☎ +47 33428459
Mail: firmapost@dometic.no**POLAND****Dometic Poland Sp. z o.o.**
Ul. Puławska 435A
PL-02-801 Warszawa
☎ +48 22 414 3200
☎ +48 22 414 3201
Mail: info@dometic.pl**PORTUGAL****Dometic Spain, S.L.**
Branch Office em Portugal
Rot. de São Gonçalo nº 1 – Esc. 12
2775-399 Carcavelos
☎ +351 219 244 173
☎ +351 219 243 206
Mail: info@dometic.pt**RUSSIA****Dometic RUS LLC**
Komsomolskaya square 6-1
RU-107140 Moscow
☎ +7 495 780 79 39
☎ +7 495 916 56 53
Mail: info@dometic.ru**SINGAPORE****Dometic Pte Ltd**
18 Boon Lay Way 06–140 Trade Hub 21
Singapore 609966
☎ +65 6795 3177
☎ +65 6862 6620
Mail: dometic@dometic.com.sg**SLOVAKIA****Dometic Slovakia s.r.o. Sales Office Bratislava**
Nádražná 34/A
900 28 Ivanka pri Dunaji
☎/☎ +421 2 45 529 680
Mail: bratislava@dometic.com**SOUTH AFRICA****Dometic (Pty) Ltd.**
Regional Office
South Africa & Sub-Saharan Africa
Unit 6-7 on Mastiff Linbro Park
2008 Johannesburg
☎ +27 11 4504978
☎ +27 11 4504976
Mail: info@dometic.co.za**SPAIN****Dometic Spain S.L.**
Avda. Sierra del Guadarrama, 16
E-28691 Villanueva de la Cañada
Madrid
☎ +34 902 111 042
☎ +34 900 100 245
Mail: info@dometic.es**SWEDEN****Dometic Scandinavia AB**
Gustaf Melins gata 7
S-42131 Västra Frölunda
☎ +46 31 7341100
☎ +46 31 7341101
Mail: info@dometicgroup.se**SWITZERLAND****Dometic Switzerland AG**
Riedackerstrasse 7a
CH-8153 Rümliang
☎ +41 44 8187171
☎ +41 44 8187191
Mail: info@dometic.ch**UNITED ARAB EMIRATES****Dometic Middle East FZCO**
P. O. Box 17860
S-D 6, Jebel Ali Freezone
Dubai
☎ +971 4 883 3858
☎ +971 4 883 3868
Mail: info@dometic.ae**UNITED KINGDOM****Dometic UK Ltd.**
Dometic House, The Brewery
Blandford St. Mary
Dorset DT11 9LS
☎ +44 344 626 0133
☎ +44 344 626 0143
Mail: sales@dometic.co.uk**USA****Dometic RV Division**
1120 North Main Street
Elkhart, IN 46515
☎ +1 574-264-2131